

# SC15CL

## LBP/MBP Compressor

### R404A/R507

### 220-240V 50Hz

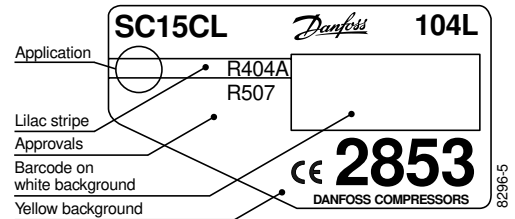
Data Sheet (Replaces CF.54.C1.02)

#### General

Compressor	<b>SC15CL</b>
Code number	104L2853

#### Application

Application	LBP/MBP	
Evaporating temperature range	°C	-40 to -5
Voltage range	V/Hz	198 - 254 /50
Motor type	CSIR	
Max. ambient temperature	°C	38
Comp. cooling at ambient temp.	32°C	F <sub>2</sub>
	38°C	F <sub>2</sub>



- S = Static cooling normally sufficient
- O = Oil cooling
- F<sub>1</sub> = Fan cooling 1.5 m/s  
(compressor compartment temperature equal to ambient temperature)
- F<sub>2</sub> = Fan cooling 3.0 m/s necessary

#### Design

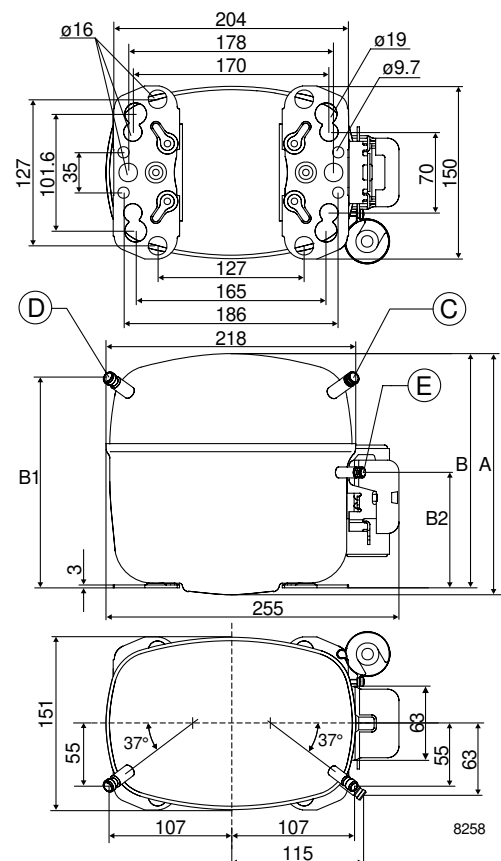
Displacement	cm <sup>3</sup>	15.28
Oil quantity	cm <sup>3</sup>	550
Maximum refrigerant charge	g	1300
Free gas vol. in compressor	cm <sup>3</sup>	1510
Weight without electrical equipment	kg	13.8

#### Motor

Motor size	watt	495
LRA (rated after 4 sec. UL984) HST	A	18.6
Cut-in current HST	A	18.6
Resistance, main and start winding (25°C)	Ω	3.7/14.1
Approvals	EN 60335-2-34	

#### Dimensions

Height	mm	A	219
		B	213
		B1	193
		B2	110
Suction connector	location/I.D. mm	C	10.2 ±0.09
Process connector	location/I.D. mm	D	6.2 ±0.09
Discharge connector	location/I.D. mm	E	6.2 ±0.09
Compressors on a pallet	pcs.	80	



### Capacity (EN 12900/CECOMAF)

watt

Comp. °C	-40	-35	-30	-25	-23.3	-20	-15	-10	-5
SC15CL	151	299	452	615	673	792	988	1208	1458

### Capacity (ASHRAE)

watt

Comp. °C	-40	-35	-30	-25	-23.3	-20	-15	-10	-5
SC15CL	175	347	525	714	782	920	1149	1407	1699

### Power consumption

watt

Comp. °C	-40	-35	-30	-25	-23.3	-20	-15	-10	-5
SC15CL	298	400	485	560	584	631	706	790	891

### Current consumption

A

Comp. °C	-40	-35	-30	-25	-23.3	-20	-15	-10	-5
SC15CL	2.83	3.05	3.28	3.52	3.61	3.77	4.04	4.31	4.60

### COP (EN 12900/CECOMAF)

W/W

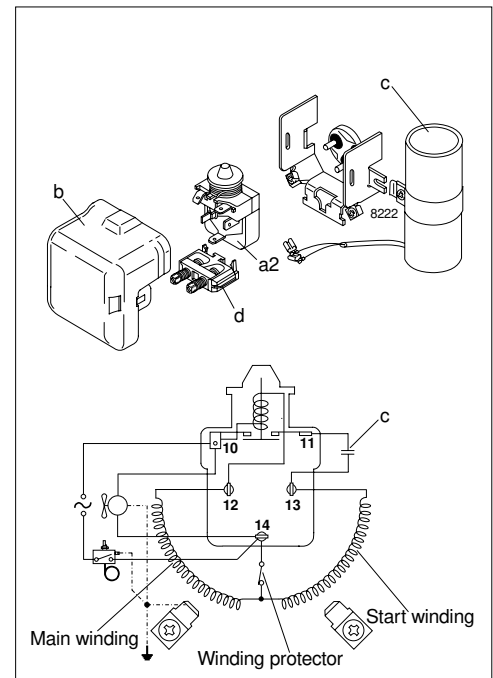
Comp. °C	-40	-35	-30	-25	-23.3	-20	-15	-10	-5
SC15CL	0.51	0.75	0.93	1.10	1.15	1.25	1.40	1.53	1.64

### COP (ASHRAE)

W/W

Comp. °C	-40	-35	-30	-25	-23.3	-20	-15	-10	-5
SC15CL	0.59	0.87	1.08	1.27	1.34	1.46	1.63	1.78	1.91

Test conditions	EN 12900/CECOMAF	ASHRAE
Condensing temperature	45°C	45°C
Ambient and suction gas temp.	32°C	32°C
Liquid temperature	45°C	32°C
Fan cooling F <sub>2</sub> , 220V 50Hz		



### Accessories

Devices	Fig.	SC15CL
Starting relay	a2	117U6019
Cover	b	103N2009
Starting capacitor 80 µF	c	117U5017
Cord relief	d	103N1004
Mounting accessories		
Bolt joint for one compressor		118-1917
Bolt joint in quantities		118-1918
Snap-on in quantities		118-1919

Danfoss can accept no responsibility for possible errors in catalogues, brochures and other printed material. Danfoss reserves the right to alter its products without notice. This also applies to products already on order provided that such alterations can be made without subsequent changes being necessary in specifications already agreed. All trademarks in this material are property of the respective companies. Danfoss and the Danfoss logotype are trademarks of Danfoss A/S. All rights reserved.