

Model

Designation	GS26MFX	220-240V/50Hz 1~	Sales code:	107B0700
-------------	----------------	-------------------------	-------------	-----------------

Compressor design

Oil type	Polyolester	Refrigerant(s)	R134a, R513A
Oil viscosity	32,5cST	Displacement	26,3cm ³ / 1,6cu.in
Oil quantity	902cm ³ / 30,5fl.oz	Compressors on pallet	48
Refr. charge - tech. limit	2000g / 70,5oz		
Free gas volume comp.	3350cm ³ / 113,3fl.oz		
Weight	19,1kg / 42,1lbs		
Motor protection	1# internal		
Winding resistance main	3,7Ω (at 25°C)		
Winding resistance aux	4Ω (at 25°C)		
Max. winding temp.	135°C / 275°F		
Max. discharge temp.	130°C / 266°F		



General - Configurations with GS26MFX

	Conf. 1	Conf. 2
Motorconfiguration	CSCR	CSCR
Power supply (nominal)	220-240V/50Hz	220-240V/50Hz
Number of phases	1	1
Voltage range	198-254V	198-254V
Approvals	VDE, CCC	VDE, CCC
Starting torque	HST	HST
Note	Cover, clamp, gasket: pre-assembled to compressor	

Applications with GS26MFX

	Conf. 1	Conf. 2
Refrigerant	R134a	R513A
Application	MBP	MBP
System cooling	fan 3m/s	fan 3m/s
Hot gas defrost	OK	OK
Long interval pull down	OK	OK

Electrical data - Configurations with GS26MFX

	Conf. 1	Conf. 2
Starting device type	relay	relay
Run capacitor	20μF	20μF
Start capacitor	100μF	100μF
LRA (locked rotor amps / 4s)	20A	20A
RLA (rated load amps / 1s)	3,8A	3,8A
Cut in current	20A	20A
IP class	21	21

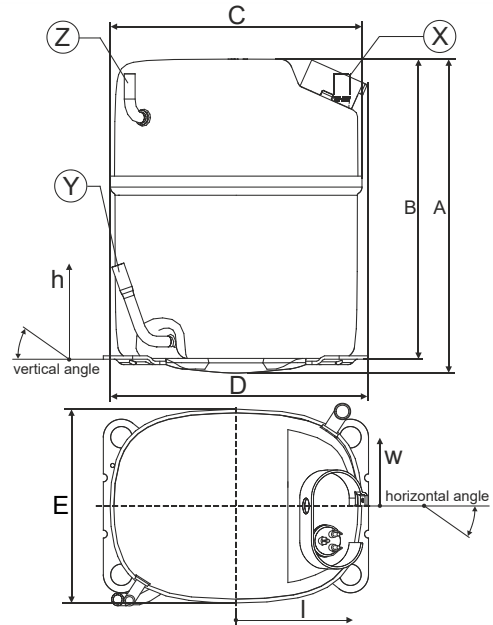
Model

Designation	GS26MFX	220-240V/50Hz 1~	Sales code:	107B0700
-------------	----------------	------------------	-------------	-----------------

Compressor dimensions

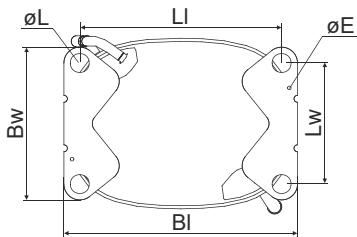
Housing	A Height	259mm / 10,2in
	B Height	247mm / 9,72in
	C Length shell	224mm / 8,82in
	D Length w. cover	232mm / 9,13in
	E Width	173mm / 6,81in

Connectors		Suction	Discharge	Process
		X	Y	Z
Diameter	[mm]	øi 12,75-13,05	øi 8,15-8,25	øi 6,4-6,6
(i:inside, o:outside)	[in]	øi 0,5-0,51	øi 0,32-0,32	øi 0,25-0,26
Material		copper	copper	copper
Horizontal angle	±2°	0°	0°	0°
Vertical angle	±2°	90°	71°	90°
Position l/h/w	[mm]	-95/234/-84	-105/84/-84	95/234/84
	[in]	-3,7/9,2/-3,3	-4,1/3,3/-3,3	3,7/9,2/3,3
Straight tube l.	[mm]	18	23	15
	[in]	0,7	0,9	0,6



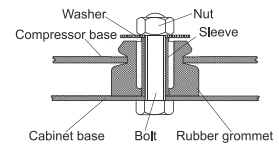
Compressor fixation

Bolt joint



Baseplate	[mm]	[inch]
BI	235	9.25
Bw	154	6.06
øE	ø 3.6	ø 0.14

Large holes	[mm]	[inch]
LI	203	7.99
LW	122	4.80
øL	ø 19	ø 0.75



Mounting accessories

Bolt joint | M8 | ø19mm one comp. 107B9150

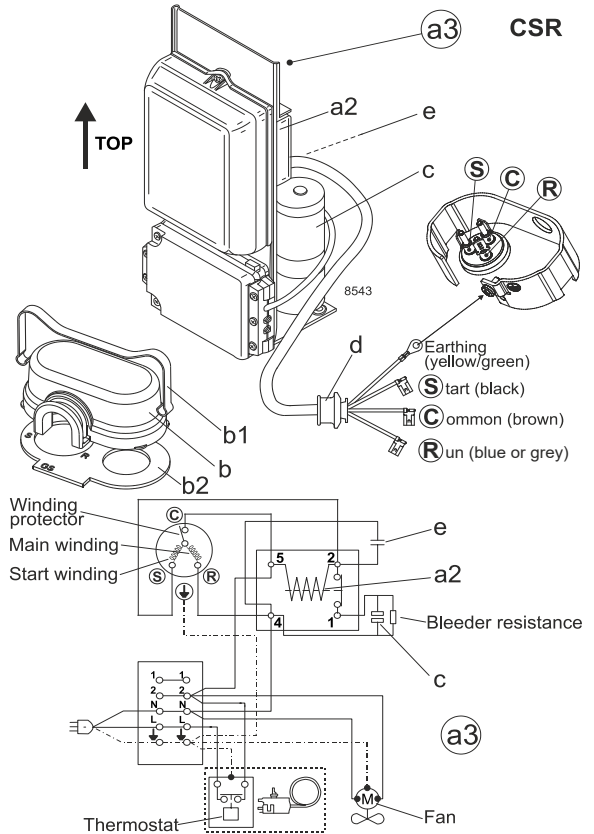
Model

Designation	GS26MFX	220-240V/50Hz	Conf. 1	Sales code:	107B0700
-------------	----------------	----------------------	----------------	-------------	-----------------

Configuration

Motorconfiguration	CSCR
Power supply (nominal)	220-240V/50Hz 1~
Refrigerant	R134a
Application	MBP
Voltage range	198-254V
Starting torque	HST
Approvals	VDE CCC

Electrical accessories / wiring diagram

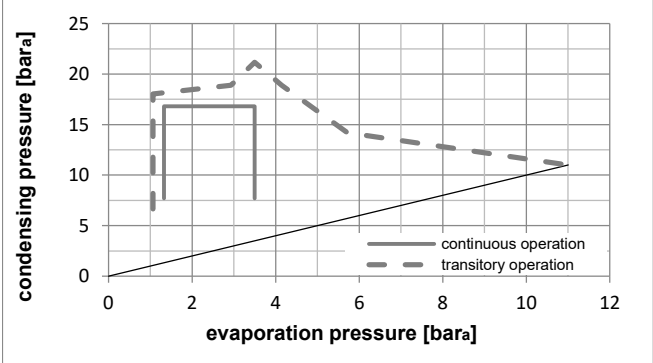
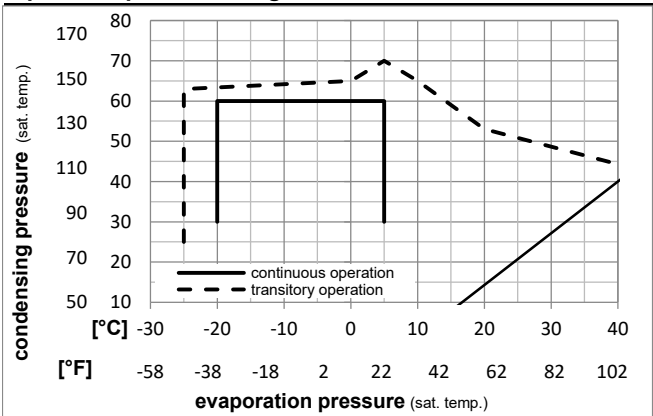


Ambient temperatures / system cooling

Ambient temperature min.:	10°C / 50°F
Ambient temperature max.:	43°C / 110°F

System cooling (n/a: outside limits)			
T ambient	LBP	MBP	HBP
32°C / 90°F	n/a	fan 3m/s	n/a
38°C / 100°F	n/a	fan 3m/s	n/a
43°C / 110°F	n/a	fan 3m/s	n/a

Operation pressure range



Components (cover, clamp, gasket: pre assembled)

a3	GS starter kit (600mm)	117-7055
b	cover	107B9101
b2	gasket	107B9100
b1	clamp	107B9104

Model

Designation **GS26MFX 220-240V/50Hz** Conf. 1 Sales code: **107B0700**

Optimization + standard conditions

220V/50Hz, CSCR, fan 3m/s, VDE, CCC

Evaporating pressure (saturation temperature)														
Condensing pressure (saturation temperature)														
Return gas temp.														
Liquid temp.														
Cooling capacity														
COP														
EER														
Power consumption														
Current consumption														
Ref. mass flow														
	pe	pc	RGT	Tliq	[W]	[Btu/h]	[kcal/h]	[W/W]	[Btu/Wh]	[kcal/Wh]	P1	I	m	
[°C]	[°C]	[°C]	[°C]	[°C]							[W]	[A]	[kg/h]	
[°F]	-6,66	54,4	35	46,1	1448,4	4947	1246,5	1,82	6,23	1,57	794,3	3,69	31,60	ASHRAE MBP
[°F]	20	130	95	115										
[°C]	-10	55	32	55	1118,3	3819	962,5	1,52	5,20	1,31	735,1	3,42	27,04	cecomaf MBP
[°F]	14	131	89,6	131										
[°C]	-10	45	20	45	1265,5	4322	1089,1	1,82	6,22	1,57	695,3	3,18	29,62	EN12900 MBP
[°F]	14	113	68	113										
[°C]	-6,66	48,9	18,3	48,9	1380,0	4713	1187,6	1,80	6,15	1,55	765,8	3,53	34,09	ARI540 MBP
[°F]	20	120	65	120										
[°C]	-10	45	32	45	1314,1	4488	1131,0	1,89	6,45	1,63	695,3	3,18	28,76	opt
[°F]	14	113	89,6	113										
[°C]	-25	45	32	45	575,5	1965	495,2	1,21	4,14	1,04	474,4	2,32	12,47	opt
[°F]	-13	113	89,6	113										

Performance tables

220V/50Hz, CSCR, fan 3m/s, VDE, CCC

	pe	Cooling capacity			COP	EER	P1	I	m			
		[°C]	[°F]	[W]						[Btu/h]	[kcal/h]	[W/W]
[°C / °F]	-20	-4		782,1	2671	673,1	1,43	4,89	1,23	545,7	2,57	16,99
cond. pressure	-15	5		1026,0	3504	883,0	1,66	5,66	1,43	619,3	2,86	22,37
pc= 45/113	-10	14		1314,1	4488	1131,0	1,89	6,45	1,63	695,3	3,18	28,76
return gas temp.	-6,7	20		1531,9	5232	1318,3	2,05	7,00	1,76	747,0	3,42	33,63
RGT= 32/90	-5	23		1653,4	5647	1422,9	2,14	7,29	1,84	774,1	3,55	36,36
liquid temp	0	32		2050,8	7004	1765,0	2,40	8,18	2,06	856,0	3,94	45,35
Tliq= 45/113	5	41		2513,8	8585	2163,4	2,67	9,12	2,30	941,1	4,38	55,96
[°C / °F]	-20	-4		656,9	2244	565,4	1,17	3,99	1,00	562,6	2,63	15,76
cond. pressure	-15	5		870,2	2972	748,9	1,35	4,60	1,16	646,4	3,01	20,95
pc= 55/131	-10	14		1118,3	3819	962,5	1,52	5,20	1,31	735,1	3,42	27,04
return gas temp	-6,7	20		1304,6	4455	1122,8	1,64	5,59	1,41	796,6	3,71	31,65
RGT= 32/90	-5	23		1408,3	4810	1212,0	1,70	5,80	1,46	829,1	3,86	34,23
liquid temp	0	32		1747,3	5967	1503,7	1,88	6,43	1,62	928,7	4,35	42,74
Tliq= 55/131	5	41		2142,6	7317	1844,0	2,07	7,08	1,78	1034,0	4,86	52,80

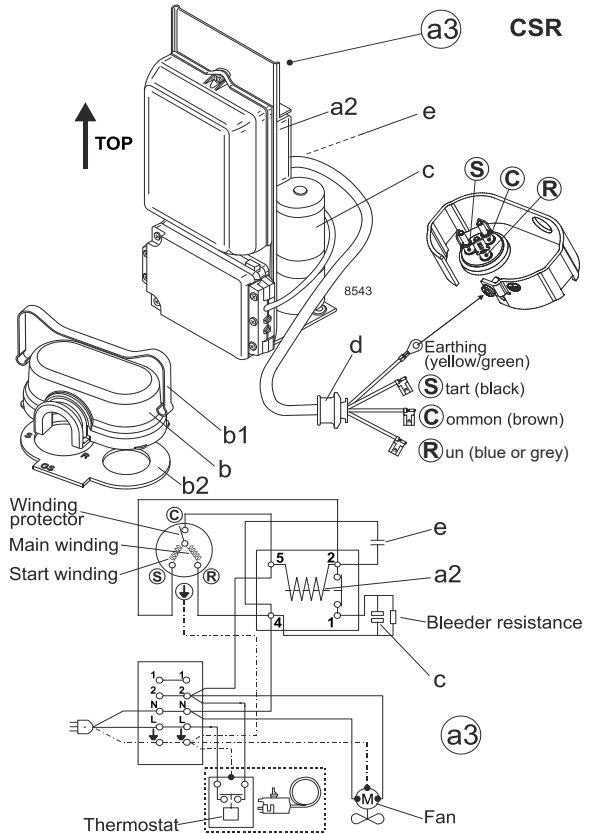
Model

Designation	GS26MFX	220-240V/50Hz	Conf. 2	Sales code:	107B0700
-------------	----------------	----------------------	----------------	-------------	-----------------

Configuration

Motorconfiguration	CSCR
Power supply (nominal)	220-240V/50Hz 1~
Refrigerant	R513A
Application	MBP
Voltage range	198-254V
Starting torque	HST
Approvals	VDE CCC

Electrical accessories / wiring diagram

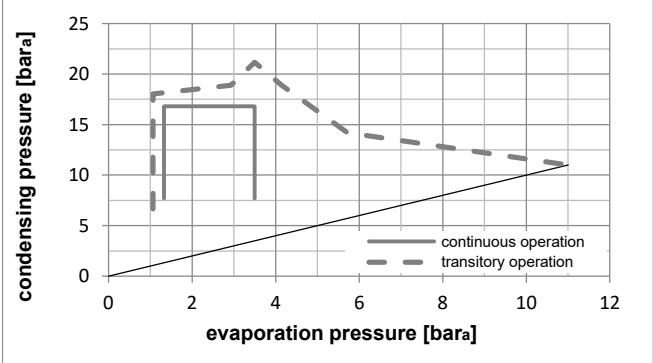
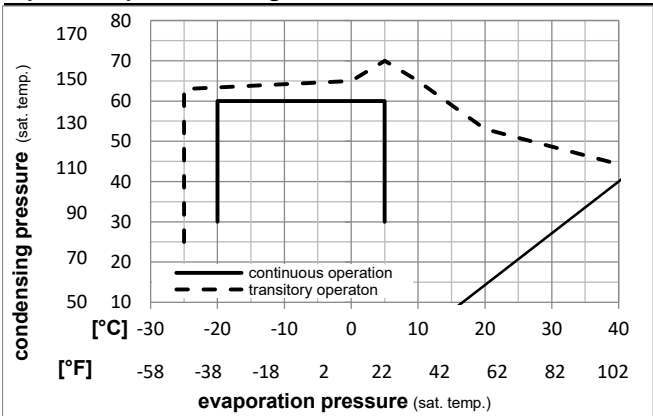


Ambient temperatures / system cooling

Ambient temperature min.:	10°C / 50°F
Ambient temperature max.:	43°C / 110°F

System cooling (n/a: outside limits)			
T ambient	LBP	MBP	HBP
32°C / 90°F	n/a	fan 3m/s	n/a
38°C / 100°F	n/a	fan 3m/s	n/a
43°C / 110°F	n/a	fan 3m/s	n/a

Operation pressure range



Components (cover, clamp, gasket: pre assembled)

a3	GS starter kit (600mm)	117-7055
b	cover	107B9101
b2	gasket	107B9100
b1	clamp	107B9104

Model

Designation **GS26MFX 220-240V/50Hz** Conf. **2** Sales code: **107B0700**

Optimization + standard conditions

220V/50Hz, CSCR, fan 3m/s, VDE, CCC

Evaporating pressure (saturation temperature)					Condensing pressure (saturation temperature)						Power consumption			ASHRAE MBP
Return gas temp.					Liquid temp.						Current consumption		Ref. mass flow ṁ	
Cooling capacity					COP		EER		P1	I				
pe	pc	RGT	Tliq	[W]	[Btu/h]	[kcal/h]	[W/W]	[Btu/Wh]	[kcal/Wh]	[W]	[A]	[kg/h]		
[°C]	-6,66	54,4	35	46,1	1535,4	5244	1321,4	1,81	6,18	1,56	848,3	3,97	37,61	ASHRAE MBP
[°F]	20	130	95	115										
[°C]	-10	55	32	55	1172,9	4006	1009,4	1,49	5,08	1,28	788,7	3,69	32,43	cecomaf MBP
[°F]	14	131	89,6	131										
[°C]	-10	45	20	45	1333,2	4553	1147,4	1,79	6,12	1,54	743,4	3,48	35,34	EN12900 MBP
[°F]	14	113	68	113										
[°C]	-6,66	48,9	18,3	48,9	1435,6	4903	1235,5	1,76	6,01	1,51	816,5	3,82	40,45	ARI540 MBP
[°F]	20	120	65	120										
[°C]	-10	45	32	45	1395,4	4766	1200,9	1,88	6,41	1,62	743,4	3,48	34,31	opt
[°F]	14	113	89,6	113										
[°C]	-25	45	32	45	634,1	2165	545,7	1,22	4,16	1,05	520,0	2,46	15,45	opt
[°F]	-13	113	89,6	113										

Performance tables

220V/50Hz, CSCR, fan 3m/s, VDE, CCC

	pe	Cooling capacity			COP		EER		P1	I	m
	[°C]	[°F]	[W]	[Btu/h]	[kcal/h]	[W/W]	[Btu/Wh]	[kcal/Wh]	[W]	[A]	[kg/h]
[°C / °F]	-20	-4	849,2	2900	730,8	1,43	4,90	1,23	592,2	2,79	20,75
cond. pressure	-15	5	1100,8	3759	947,4	1,65	5,64	1,42	666,5	3,13	26,97
pc= 45/113	-10	14	1395,4	4766	1200,9	1,88	6,41	1,62	743,4	3,48	34,31
return gas temp.	-6,7	20	1616,5	5521	1391,2	2,03	6,94	1,75	795,6	3,72	39,85
RGT= 32/90	-5	23	1739,4	5940	1496,9	2,11	7,22	1,82	823,1	3,85	42,94
liquid temp	0	32	2139,4	7306	1841,2	2,36	8,07	2,03	905,9	4,23	53,06
Tliq= 45/113	5	41	2602,0	8886	2239,3	2,62	8,96	2,26	992,1	4,63	64,90
[°C / °F]	-20	-4	707,0	2415	608,4	1,15	3,93	0,99	614,5	2,89	19,41
cond. pressure	-15	5	923,5	3154	794,8	1,32	4,51	1,14	698,9	3,28	25,44
pc= 55/131	-10	14	1172,9	4006	1009,4	1,49	5,08	1,28	788,7	3,69	32,43
return gas temp	-6,7	20	1358,8	4640	1169,4	1,60	5,45	1,37	851,0	3,98	37,68
RGT= 32/90	-5	23	1461,8	4992	1258,1	1,65	5,65	1,42	884,1	4,13	40,61
liquid temp	0	32	1796,8	6137	1546,4	1,82	6,23	1,57	985,5	4,60	50,18
Tliq= 55/131	5	41	2184,7	7461	1880,1	2,00	6,83	1,72	1093,1	5,09	61,39