



APPROVALS




 **ENGINEERING CODE**
959KC51


 **APPROVED REFRIGERANT**
R-404A

 **POWER SUPPLY**
220 V 50 Hz

 **STANDARD CONDITIONS**
ASHRAE

 **APPLICATION**
LBP

 **COOLING CAPACITY**
882 W (LBP)

 **EFFICIENCY**
1.38 W/W (LBP)

 **MOTOR TYPE**
CSCR

 **STARTING TORQUE**
HST

DATA

General Data

Type	Hermetic reciprocating
Technology Type	On-Off
Displacement	16.8 cm ³
Compressor Cooling	Fan/Controlled/220
Fan Air Flow	520 m ³ /h
Expansion Device	Capillary Tube or Expansion Valve
Horse Power	3/4 hp
Max Condensing Pressure Operating	24.71 bar
Max Condensing Pressure Peak	27.71 bar
Power Supply	220 V 50 Hz
Evaporating Temperature Range	-40 °C to -10 °C

Electrical Data

Motor type	CSCR
Starting Torque	HST
Start Winding Resistance	13.9 Ω at 25° C
Run Winding Resistance	3.1 Ω at 25° C

Mechanical Data

Maximum Recommended Refrigerant Charge	350 g
Oil Charge	350 ml
Oil Type Configuration	ESTER
Oil Type Viscosity	ISO22
Pressurization	Dry air charge
Weight	11.8 Kg
Free Internal Volume	2.1 L

Electrical Components

	Description
Start Capacitor	88-108 Uf / 330 V
Run Capacitor	10
CSR / CSIR Box	YES
Starting Device	RVA403C-123
Motor Protection	T0964/G6

External Characteristics

Base Plate	European	
Tray Holder	No	
Height	206 mm	
Connector	Internal Diameter	Shape
Suction	8.1 mm	Slanted 42°/Copper
Discharge	6.1 mm	Straight/Copper
Process	6.1 mm	Slanted 42°/Copper

PERFORMANCE

Rated Points

Condensing Temperature	Evaporating Temperature	Cooling Capacity	Power Consumption	Gas Flow Rate	Efficiency
54.40°C	-23.30°C	882 W	639 W	20.40 kg/h	1.38 W/W

Test Condition: ASHRAELBP32, Fan/Controlled/220, Return Gas 32.2°C, Evaporation -23.30°C, Condensing 54.40°C, Ambient 32.2°C, Liquid 32.2°C, Subcooling 22.2K. Data are an indication of performance based simulation.

Performance Curve Data

Condensing Temperature 35°C

Evaporating Temperature °C	Cooling Capacity W	Power W	Gas Flow Rate kg/h	Efficiency W/W
-40	399	379	9.15	1.05
-35	533	434	12.25	1.23
-30	696	492	16.07	1.42
-25	890	553	20.64	1.61
-20	1116	617	26.00	1.81
-15	1373	683	32.19	2.01
-10	1663	753	39.25	2.21

Test Condition: ASHRAELBP32, Fan/Controlled/220, Return Gas 32.2°C, Ambient 32.2°C, Liquid 32.2°C. Data are an indication of performance based simulation.

Condensing Temperature 45°C

Evaporating Temperature °C	Cooling Capacity W	Power W	Gas Flow Rate kg/h	Efficiency W/W
-35	505	448	11.59	1.13
-30	665	514	15.32	1.29
-25	855	586	19.80	1.46
-20	1077	664	25.05	1.62
-15	1330	745	31.13	1.78
-10	1615	832	38.06	1.94

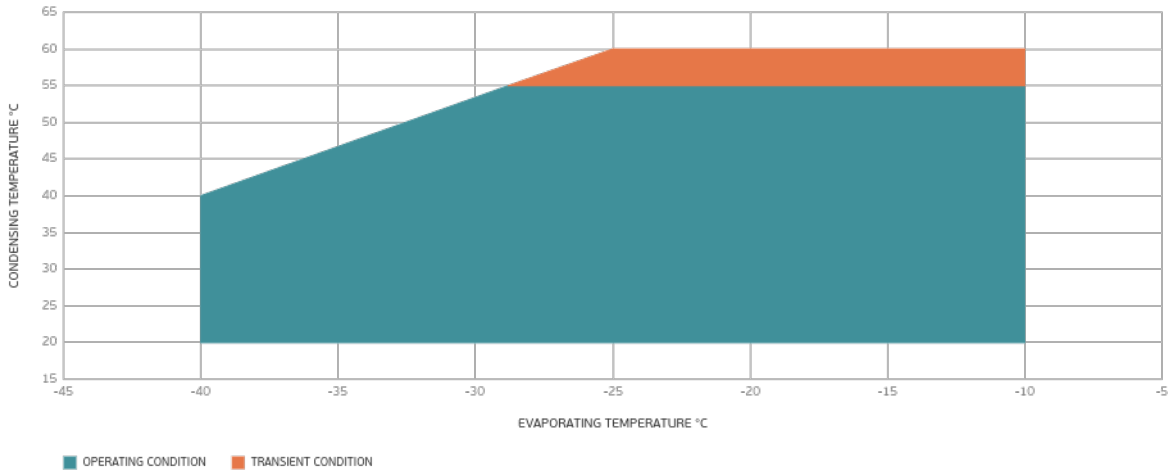
Test Condition: ASHRAELBP32, Fan/Controlled/220, Return Gas 32.2°C, Ambient 32.2°C, Liquid 32.2°C. Data are an indication of performance based simulation.

Condensing Temperature 55°C

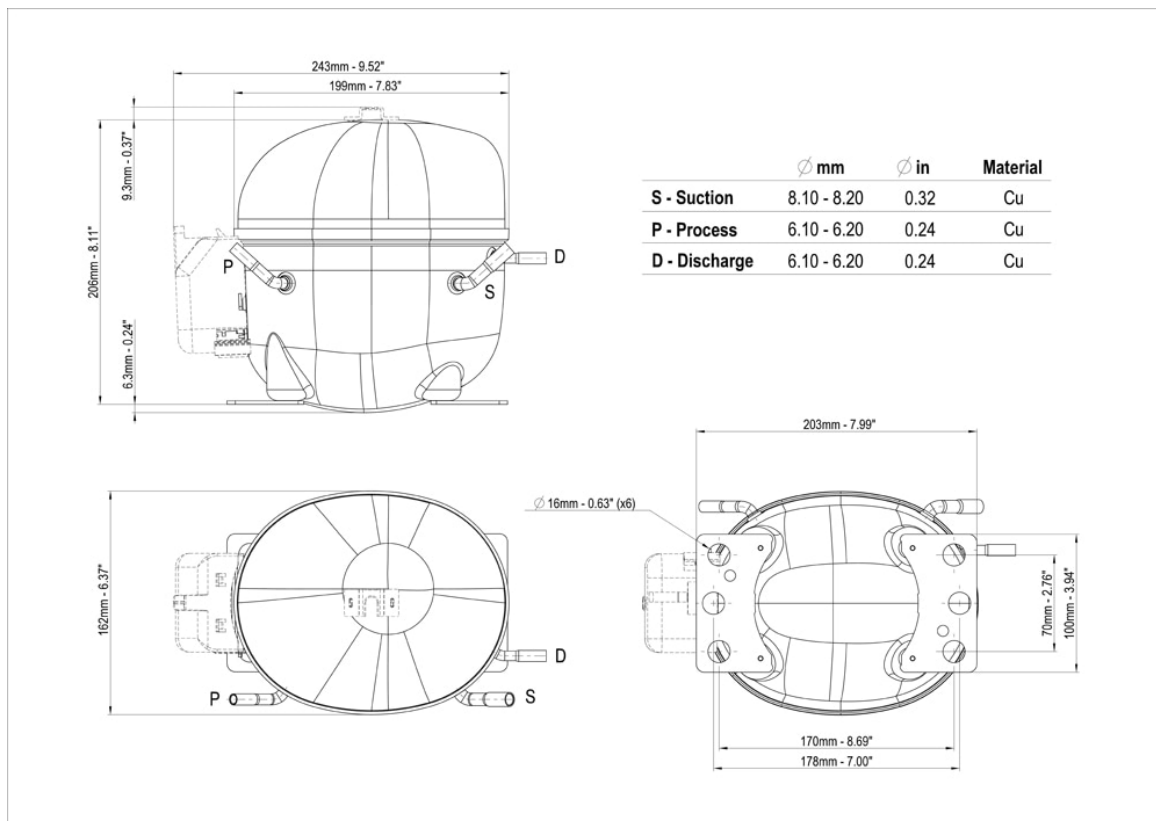
Evaporating Temperature °C	Cooling Capacity W	Power W	Gas Flow Rate kg/h	Efficiency W/W
-30	625	530	14.37	1.18
-25	812	610	18.74	1.33
-20	1029	698	23.88	1.47
-15	1277	794	29.82	1.61
-10	1557	896	36.61	1.74

Test Condition: ASHRAELBP32, Fan/Controlled/220, Return Gas 32.2°C, Ambient 32.2°C, Liquid 32.2°C. Data are an indication of performance based simulation.

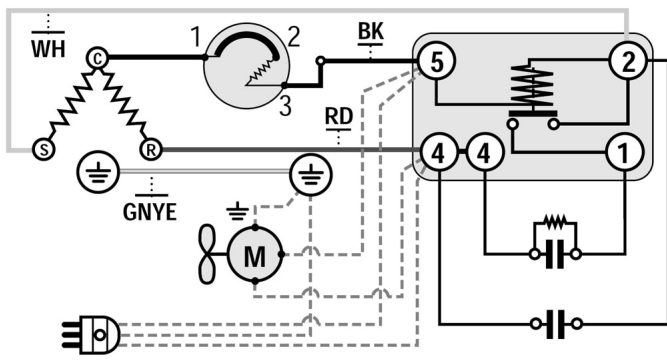
Operating Envelope



External Dimensions



Wiring Diagram



Assembly Instructions

